

DAKA

DAKA CORPORATION

955 INDUSTRIAL STREET N.E.

PINE CITY, MINNESOTA 55063

320-629-6737 (OFFICE) * 800-884-3252 (TOLL FREE) * 320-629-3677 (FAX)

FILTER BOX ASSEMBLY

ITEM #260

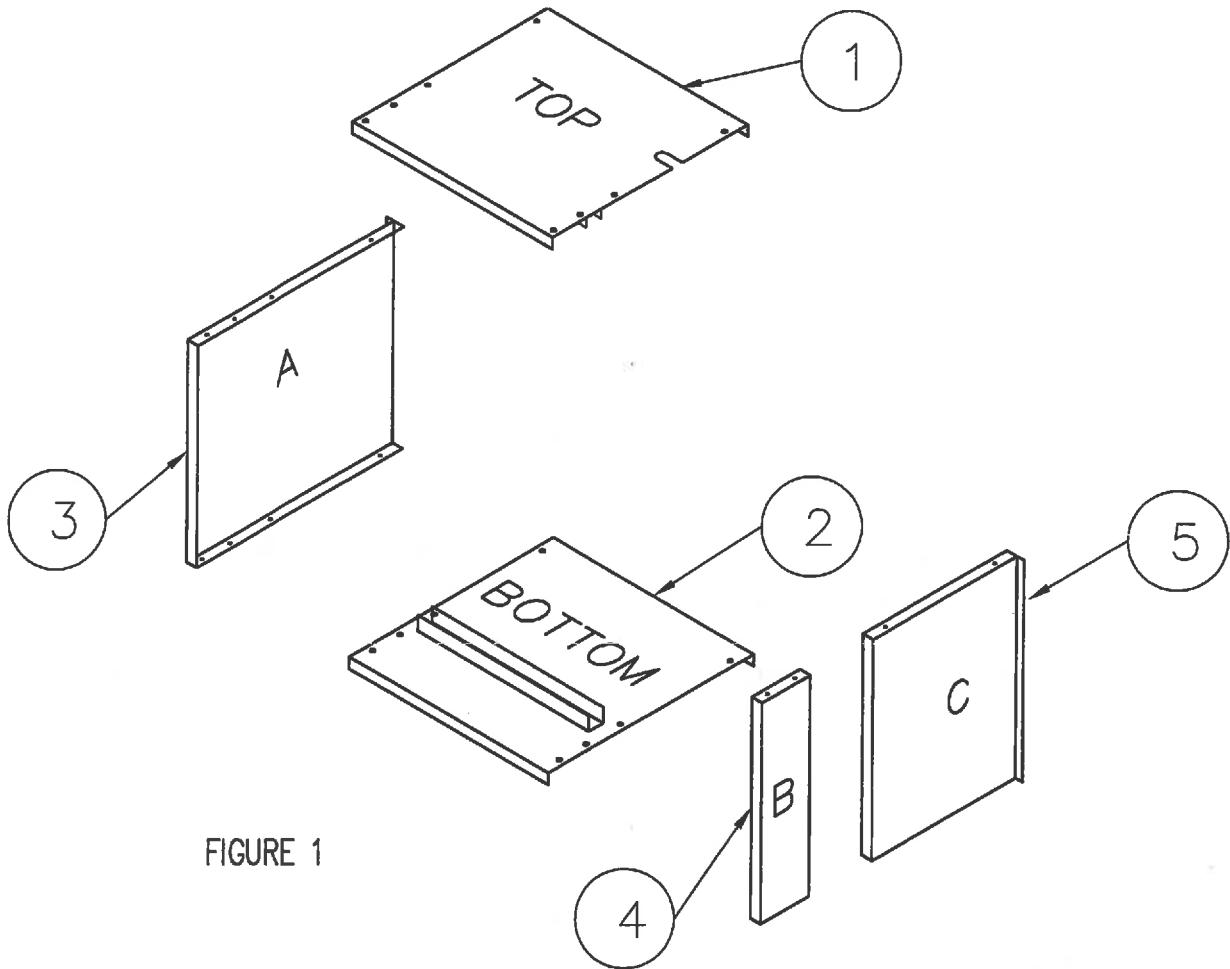
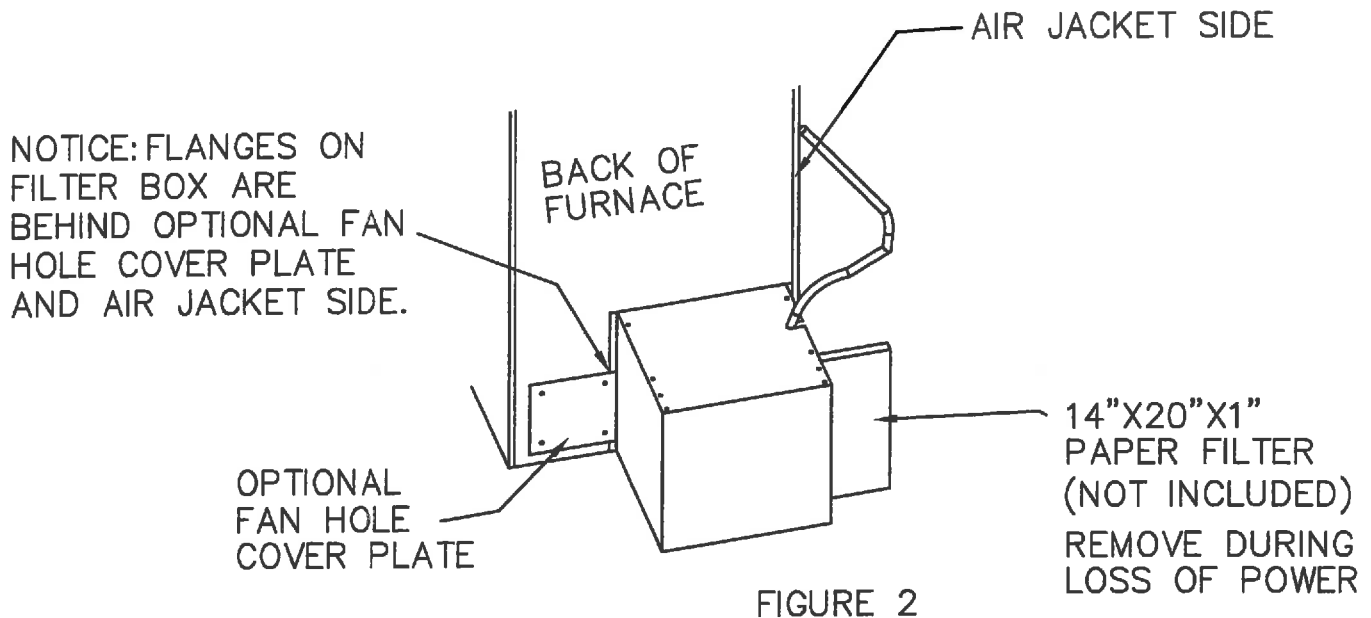


FIGURE 1

KEY#	DESCRIPTION	PART#	QUANTITY
1.	TOP	56660104	1
2.	BOTTOM	56660106	1
3.	SIDE PANEL A	56660102	1
4.	SIDE PANEL B	56660110	1
5.	SIDE PANEL C	56660112	1
6.	SHEET METAL SCREWS	SCT#1212	16
7.	INSTRUCTIONS	66810430	1
8.	PLASTIC BAG 4X6X3MIL	69680005	1



1. Using the sheet metal screws provided (Key 6) first attach the bottom panel (Key 2) to side panel A (Key 3)
2. Next, attach side panel B (Key 4) and side panel C (Key 5) to bottom panel (Key 2).
3. With blower and wiring already installed on DAKA furnace, the next step is to loosen, but not remove, all four screws holding the fan hole cover plate. (See FIG. 2).
4. Remove air jacket top and right side air jacket panel from DAKA furnace.
5. Take the partially assembled filter box and slide it into position. Once in position, slide outer flange on panel A (Key 3) under the fan hole cover plate. Retighten the four screws holding the fan hole cover plate. Once these screws are tightened, they will hold the left side of the filter box in position.
6. Install top panel of filter box to all side panels.
7. Reinstall right air jacket side panel, making sure back edge of air jacket panel overlaps outer flange on panel C. Once air jacket side panel is in position, it will hold the right side of the filter box in position.
8. Place air jacket top back onto DAKA furnace.
9. **INSTALLATION OF A COLD AIR RETURN LINE IS MANDATORY:**
 - **Minimum size is 13" x 13" or 170 square inches.**
10. Furnace Filter: Size 14 x 20 x 1 fiberglass filter (side may be cut to fit width of filter box).