

30720 FIRE DOOR HINGE ASSEMBLY & ATTACHMENT INSTRUCTIONS

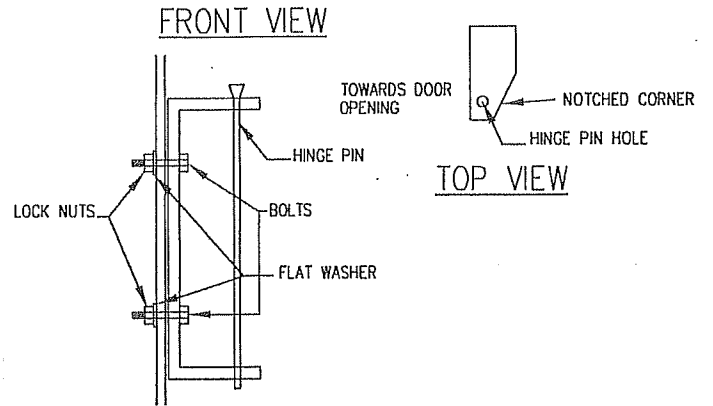
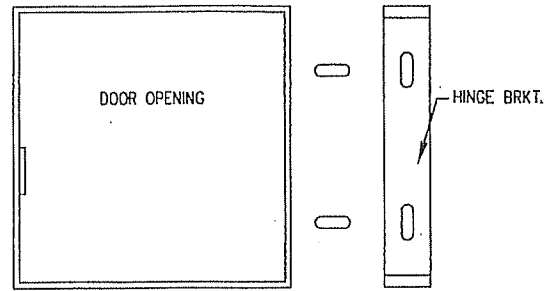
DAKA FURNANCE 521FB

QTY	DESCRIPTION	PART#
1	HINGE BRACKET	57660039
1	HINGE PIN	57660005
1	BOLT BAG containing:	
2	1/4 X 3/4 BOLTS	HB1434
2	FLAT WASHERS	FW14SAE
2	NUTS (LOCK)	LN14

INSTALLATION:

Position hinge against furnace with hinge pin-hole closest to door opening. When viewing hinge bracket from top, make sure that the notched corner is facing away from door opening. Assemble bolts in center of slotted holes with washers and nut on inside. Tighten enough to hold door. Place door on hinges and close. Doorframe should hit on center of gasket rope all the way around.

If door doesn't fit properly, use slots provided to adjust hinge placement; tighten bolts securely.



30720 FIRE DOOR HINGE ASSEMBLY & ATTACHMENT INSTRUCTIONS

DAKA FURNANCE 521FB

QTY	DESCRIPTION	PART#
1	HINGE BRACKET	57660039
1	HINGE PIN	57660005
1	BOLT BAG containing:	
2	1/4 X 3/4 BOLTS	HB1434
2	FLAT WASHERS	FW14SAE
2	NUTS (LOCK)	LN14

INSTALLATION:

Position hinge against furnace with hinge pin-hole closest to door opening. When viewing hinge bracket from top, make sure that the notched corner is facing away from door opening. Assemble bolts in center of slotted holes with washers and nut on inside. Tighten enough to hold door. Place door on hinges and close. Doorframe should hit on center of gasket rope all the way around.

If door doesn't fit properly, use slots provided to adjust hinge placement; tighten bolts securely.

